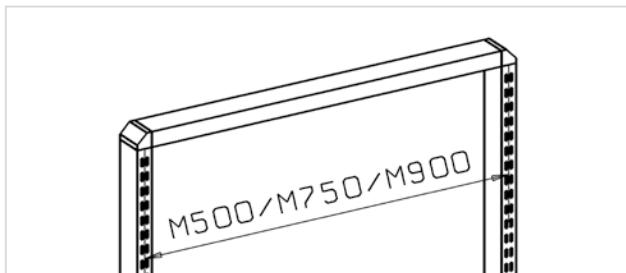


Accessories for Workshop and TP



The modular (M) size refers to the distance between two upright tubes from the middle of the tube. The modular size is used to find the appropriate accessories.



Upright tube modules

For TP Bench we recommend using upright modules which include horizontal bars. This increases the stability of the uprights.

Upright tube modules for TP benches

	Suitable for bench widths			Code l=1359 mm	Code l=1582 mm
	1200	1500	1800		
1 x M750	TP			900 49 001P	900 49 002P
1 x M900	TP			901 49 001P	901 49 002P
2 x M750		TP		903 49 001P	903 49 002P
2 x M900			TP	904 49 001P	904 49 002P

Load capacity 100 kg / module spacing.

Upright tubes are the basic element for accessorising our industrial furnishings. Accessories are attached to TP and Workshop benches with the aid of upright tubes or a pre-assembled, upright tube module. The module includes upright tubes, horizontal tube(s), corner bracket pair and straight bracket (if module has more than one horizontal tube). The upright tubes or the upright tube module are attached to the back of the TP bench with accessory frame (ordered separately).

Upright tubes

Name	Size mm	Length (l) mm	Code
Upright tube	30 x 60	500	860 991-49
Upright tube	30 x 60	800	860 142-49
Upright tube	30 x 60	996	860 367-49
Upright tube	30 x 60	1359	860 024-49
Upright tube	30 x 60	1582	860 025-49
Upright tube pair*	30 x 30	1219	854 038-49

* Used in the service trolley (page 48).

Horizontal tube	M500	860 819-49
Horizontal tube	M750	847 402-49
Horizontal tube	M900	840 104-49
Corner bracket pair		848 336-49
Straight bracket		851 827-49

Upright tubes and compatibility

	Bench width					
	1000	1200	1500	1800	2000	2250
1 x M750	W	TP	W		W	W
1 x M900	W	TP	W		W	W
1 x M1000	W					
1 x M1200		TP				
1 x M1500			TP/W		W	W
1 x M1800				TP	W	W
2 x M500	W		W		W	W
2 x M750			TP/W		W	W
2 x M900				TP	W	W
2 x M1000					W	
3 x M500			W		W	W
3 x M750						W
4 x M500					W	

W = Workshop

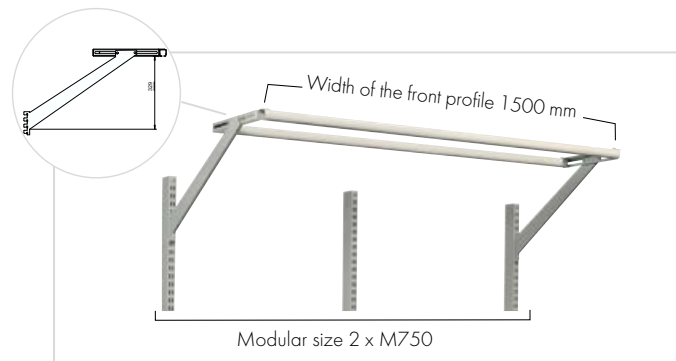
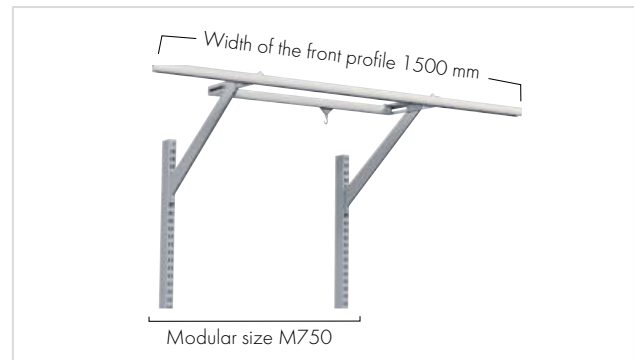
Light and balancer rail

Apart from task lights all luminaires are fitted to light/balancer rails which are height and depth adjustable. Tool balancer rails and sliding hooks facilitate the use of heavy equipment. A tool balancer is fixed to the light/balancer rail.

Light and balancer rail (includes one sliding hook)

Modular size	Width of the front profile mm	Max load kg	Code
2 x M500	1000	15	918 49 001P
2 x M500/1500	1500	15	918 49 002P
4 x M500	2000	15	918 49 003P
M750	750	15	918 49 004P
M750/900	900	15	918 49 013P
M750/1500	1500	15	918 49 005P
2 x M750	1500	15	918 49 006P
3 x M750	2250	15	918 49 012P
M900	900	15	918 49 007P
2 x M900	1800	15	918 49 008P
M900/1500	1500	15	918 49 009P
M1200	1200	15	918 49 010P
M1350	1350	15	918 49 011P

With extension benches you also need a center bracket, code 860 074-49.



Tool balancers and other supplies

Name	Tool weight kg	Code
Tool balancer 2DU	0,5 - 1	939 502-00
Tool balancer 4DU	1 - 2	939 503-00
Sliding piece with a snap hook		890 557-51



Tool balancer



Sliding hook

Energy rails, distributor for compressed air

Energy rails (brackets for uprights included)

Width mm fixing	Code
1 440 8 sockets + on/off switch	910 51 001P
2 440 6 sockets + fault current protection	910 51 002P
3 M750 6 sockets + on/off switch	911 51 002P
M900 7 sockets + on/off switch	911 51 003P
Bracket pair for perforated panel	853 185-51

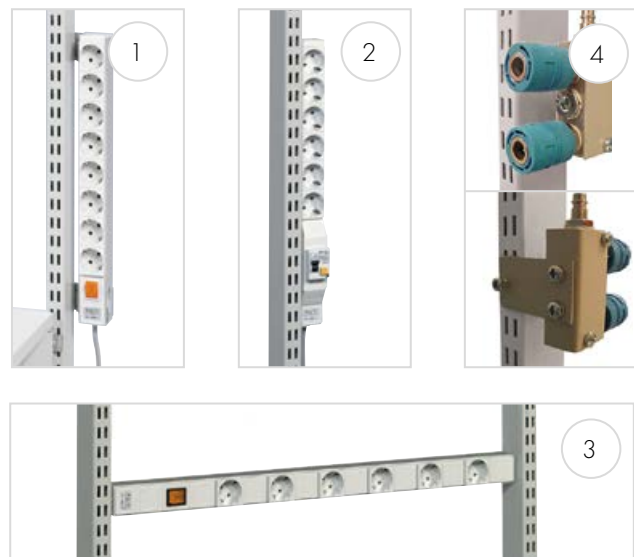
Energy rails are available in three module sizes: M500, M750 and M900 (440 mm wide model suites module size M500 horizontally).

Distributor for compressed air

Connections, Ø 8 mm	In	Out	Fixing	Code
4 Distributor for compressed air	1	2	vert.	859 861-00

Connectors are compatible with the CEJN 3200 series.

Can be fitted to all Treston benches.



For UK energy rails please contact salesuk@treston.com for further details.



LCD-holder & keyboard tray



Document holder



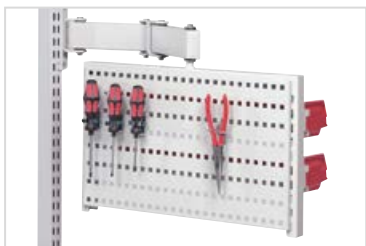
Curved bin rail with arm



Extension for curved bin rail with arm



Tool panel



Rotating tool panel with perforated panel and R-hooks

Upright accessories

IT shelves and trays

Name	Size W x D mm	Max load kg	Code
LCD holder with double arm		15	930 49 002P
Keyboard tray for LCD holder	480 x 260	5	860 941-49
Keyboard and mouse tray for LCD holder	620 x 260	5	860 942-49

Document holders

Name	Size W x D mm	Max load kg	Code
Document holder A4	290 x 330	5	928 49 008P
Document holder A3	418 x 330	5	928 49 009P

Bin rails with arms

Name	Size W x D mm	Max load kg	Code
Curved bin rail with arm	770 x 54	15	929 49 002P
Extension for curved bin rail with arm	770 x 54		860 911-49

Tool panel

Name	Size W x D mm	Max load kg	Code
Tool panel	267 x 305	5	928 49 010P

Rotating tool panels

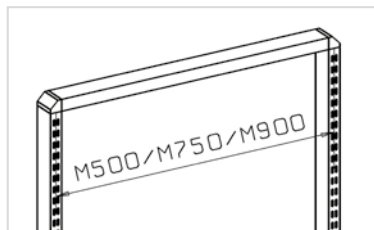
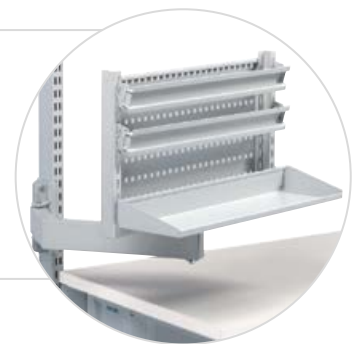
Name	Size W x D mm	Max load kg	Code
Rotating tool panel, height-adjustable arm	513 x 320	15	860 864-49P
Rotating tool panel, double arm	513 x 320	15	880 865-49P
Perforated panel	470 x 300		860 951-49
Tool trough M500	470 x 150		860 952-49
Suspension rail M500	492 x 90	50	859 150-49
Light suspension rail M500	492 x 54	10	860 953-49

Plastic boxes, hooks and tools in pictures are not included.



Rotating tool panel

The rotating tool panel can be equipped with perforated panels and tool troughs. The rotating tool panel is compatible with all M500 accessories, such as the tool trough and the suspension rails.



The modular (M) size refers to the distance between two upright tubes from the middle of the tube. The modular size is used to find the appropriate accessories.

Shelves

Shelves

Name	Module	Size W x D mm	Max load kg	Code
Steel shelf	M500	490 x 300	50	860 804-49
Steel shelf	M500	490 x 400	50	860 805-49
Tiltable top shelf	M500	467 x 300	80	TTSM5003-49
Tiltable top shelf	M500	467 x 400	80	TTSM5004-49
Steel shelf	M750	740 x 300	50	836 028-49
Steel shelf	M750	740 x 400	50	852 770-49
Tiltable top shelf	M750	717 x 300	80	TTSM7503-49
Tiltable top shelf	M750	717 x 400	80	TTSM7504-49
Steel shelf	M900	890 x 300	50	852 283-49
Steel shelf	M900	890 x 400	50	852 769-49
Tiltable top shelf	M900	870 x 300	80	TTSM9003-49
Tiltable top shelf	M900	870 x 400	80	TTSM9004-49
Tiltable top shelf	M1000	967 x 300	80	TTSM10003-49
Tiltable top shelf	M1000	967 x 400	80	TTSM10004-49
Tiltable top shelf	M1200	1167 x 300	80	TTSM12003-49
Tiltable top shelf	M1200	1167 x 400	80	TTSM12004-49
Tiltable top shelf	M1500	1467 x 300	80	TTSM15003-49
Tiltable top shelf	M1500	1467 x 400	80	TTSM15004-49
Tiltable top shelf	M1800	1773 x 300	80	TTSM18003-49
Tiltable top shelf	M1800	1773 x 400	80	TTSM18004-49



Steel shelf M500, M750, M900



Tiltable top shelf M500, M750, M900



Tiltable top shelf M1000, M1200, M1500, M1800



Divider pair

Divider pair for shelves M500, M750 and M900

Name	Size D x H mm	Code
Divider pair	285 x 190	010 004-49
Divider pair	385 x 190	010 005-49

Divider pair for shelves M1000, M1200, M1500 and M1800

Name	Size D x H mm	Code
Divider pair	285 x 190	861 116-49
Divider pair	385 x 190	861 118-49

Small storage solutions

Name	Module	Size W x D x H mm	Max load kg	Code
Perforated tool cabinet	M500	470 x 250 x 600	20	854 039-07
Perforated tool cabinet	M750	720 x 255 x 900	60	852 629-07
Shelf for M750 perforated tool cabinet		715 x 175 x 15	10	836 273-49
Personal safety equipment cabinet*	M750	720 x 330 x 900	60	860 987-07
File cabinet with two shelves	M750	720 x 330 x 900	60	860 980-49
PC/folder box, fitted to upright tube		130 x 290 x 330	5	860 983-49

* Includes energyrail with schuko plug and outlets.



Perforated tool cabinet



Personal safety equipment cabinet (includes energyrail with Schuko plug and outlets).



Sliding door cabinet



File cabinet with two shelves



PC/folder box

Stacking bins and shelf bins



Bin rail M750 with brackets and blue stacking bins.



Light bin rail M750 with brackets and red stacking bins.



Another way of ensuring an ergonomic working position and saving space is to use bin rails. The higher the rails are, the further they are from the workstation. To ensure an ergonomic working position, use the extension bracket pair on the higher rails. The bin rails are available in six standard module sizes.

Bin rails

Name	Suitable for module	Size W x D mm	Max load kg	Code
Bin rail	M500	492 x 100	50	859 150-49
Light bin rail *	M500	492 x 54	10	860 953-49
Bin rail	M750	742 x 100	50	859 151-49
Light bin rail *	M750	742 x 54	10	860 955-49
Bin rail	M900	895 x 100	50	859 152-49
Light bin rail *	M900	895 x 54	10	860 956-49
Bin rail	M1000	967 x 100	50	859 156-49
Bin rail	M1200	1167 x 100	50	859 157-49
Bin rail	M1350	1343 x 100	50	859 153-49
Bin rail	M1500	1493 x 100	50	859 154-49
Bin rail	M1800	1799 x 100	50	859 155-49
Extension bracket pair		60	50	860 919-49

* Suitable only for picking bins 30-1L, 30-2L and 30-23L.

Stacking bins

Our stacking bins have been designed for daily use in stores, production facilities and warehouses. These bins have been designed to fit all standard metric shelves and industrial workstations. Bins of the same width stack securely, even if they are of different depths. Straight sides ensure an efficient use of space.

Stacking bins

No.	Capacity l	Outer dims W x D x H mm	Inner dims W x D x H mm	Pack pcs	Code.*			Labels and cross dividers		
					blue	red	ESD black	Labels + shields	Pack min. order	Cross divider
1.	0,6	105 x 165 x 75	90 x 105 x 65	60	1015-6	1015-5	1015-4 ESD	E10	60	
	2,7	149 x 250 x 130	125 x 185 x 115	30	1525-6	1525-5	1525-4 ESD	E15	30	V-14
	5,0	186 x 300 x 156	155 x 230 x 140	24	1930-6	1930-5	1930-4 ESD	E20	24	V-19
	7,2	186 x 400 x 156	155 x 330 x 140	24	1940-6	1940-5	1940-4 ESD	E20	24	V-19
2.	1,1	99 x 160 x 70	85 x 100 x 62	60	30-1L-6		30-1L-4 ESD			
	2,2	198 x 160 x 70	175 x 100 x 62	30	30-2L-6		30-2L-4 ESD			
	2,2	198 x 160 x 70	175 x 100 x 62	30	30-23L-6		30-23L-4 ESD			
										(2 fixed length dividers)

*) Code/one item. All bins are also available in grey colour (colour code -3).

Fixing stacking bins on the bin rail

Bin rail	M500	M750	M900	M1350	M1500	M1800	Curved bin rail
1015	4	7	8	12	14	17	
1525	3	5	6	9	10	12	
1930 & 1940	2	4	4	7	8	9	
30-1L	5	7	9	13	15	17	5
30-2L & 30-23L	2	3	4	7	7	9	



Shelf bins

Self bins are designed to fit all standard metric shelves, cabinets and industrial workstations.

Bins of the same width stack securely, even if they are of different depths. Straight sides ensure an efficient use of space, and the bins are available in several bright colours to facilitate product identification. Each drawer comes with a label and protective cover.



Shelf bins

Capacity l	Outer dims W x D x H mm	Inner dims W x D x H mm	Pack pcs	Code.*			Cross dividers	
				blue	red	ESD black	Code*	Number /bin
1,9	92 x 400 x 82	75 x 357 x 70	30	4010-6	4010-5	4010-4 ESD	D-10	6
2,4	92 x 500 x 82	75 x 457 x 70	30	5010-6	5010-5	5010-4 ESD	D-10	8
4,2	186 x 400 x 82	167 x 357 x 70	15	4020-6	4020-5	4020-4 ESD	D-20	6
5,3	186 x 500 x 82	167 x 457 x 70	15	5020-6	5020-5	5020-4 ESD	D-20	8
6,5	186 x 600 x 82	167 x 557 x 70	15	6020-6	6020-5	6020-4 ESD	D-20	10

*) Code/one items. All bins are also available in grey colour (colour code -3).



Accessories for TPH



Metal shelf TH



Bin profile BP



Auxiliary shelf SH



Perforated panel RL



Tool and lighting support KT



Swivel arm with tray CKV

Metal shelf TH

Size W x D mm	Max load kg	Suitable for	Code	Code ESD
1119 x 145	30	TPH712	TH120	TH120 ESD
1419 x 145	30	TPH715/915	TH150	TH150 ESD
1719 x 145	30	TPH718/918	TH180	TH180 ESD

Adjustment for depth, height and angle. For stacking and picking bins. Load capacity 30 kg.

Bin profile BP

Width mm	Max load kg	Suitable for	Code	Code ESD
profile 1115	15	TPH712	BP120	BP120 ESD
profile 1415	15	TPH715/915	BP150	BP150 ESD
profile 1715	15	TPH718/918	BP180	BP180 ESD

Aluminium profile for stacking and picking bins.

Auxiliary shelf SH

Size W x D mm	Max load kg	Suitable for	Code	Code ESD
1200 x 310	50	TPH712	SH120	SH120 ESD
1500 x 310	50	TPH715/915	SH150	SH150 ESD
1800 x 310	50	TPH718/918	SH180	SH180 ESD

Height adjustable shelf. 25 mm laminated particle board.

Perforated panel RL

Size W x H mm	Suitable for	Code	Code ESD
1115 x 750	TPH712	RL120	RL120
1415 x 750	TPH715/915	RL150	RL150
1715 x 750	TPH718/918	RL180	RL180
Panel hooks for TPH	TPH	RK1	RK1

Robust, perforated steel panel. 9 mm perforations at 38 mm centres. Mount on TPH-benches with connectors RK 1. Can also be attached to a wall with screws (included).

Tool and lighting support KT

	Size W x D mm	Suitable for	Code	Code ESD
	1200 x 600	TPH712	KT120	KT120
	1500 x 600	TPH715/915	KT150	KT150
	1800 x 600	TPH718/918	KT180	KT180
Extra C-profile	1500	KT150	SPR150	SPR150
Extra C-profile	1800	KT180	SPR180	SPR180

For suspending power tools and lighting units. Includes one C-profile bar with sliding hook.

Swivel arm with tray CKV

Size W x D mm	Max load kg	Suitable for	Code	Code ESD
Tray 210 x 460	15	TPH	CKV400	CKV400 ESD

Swivel arm with lockable, angle adjustable steel tray. Load 15 kg. Mount on C-profile.

Upright profiles HKCP

Height mm	Suitable for	Code	Code ESD
1470	TPH	HKCP147	HKCP147

If you mount both perforated panel RL and cable channel TJK to TPH benches, you must order extra-high upright profiles.

Component rack EPL

Size W x D x H mm	Suitable for	Shelves number	Code ESD
455 x 200 x 290	CKV	3	EPL12 ESD

Rack with three fixed shelves. Of semiconductive epoxy powder coated steel in light grey (RAL 7035).



Component rack EPL

Cable tidy TPHCT

Size W x D x H mm	Suitable for	Code	Code ESD
1115 x 45 x 205	TPH712	TPHCT120	TPHCT120
1415 x 45 x 205	TPH715/ 915	TPHCT150	TPHCT150
1715 x 45 x 205	TPH718/ 918	TPHCT180	TPHCT180

Mounted between C-profiles below worktop. Of perforated epoxy powder coated steel.



Cable tidy TPHCT

Cable clip set CC

Set	Max load kg	Suitable for	Code	Code ESD
5 pcs/set	15	TPH	CC12	CC 12

The cable clip set will hold cables etc. securely and neatly in place along the bench frame. The clips locate in the 12 mm profile slot.



Cable clip set CC

PC stand CPU

Width mm	Height mm	Suitable for	Code
Vertical 130-240	395-500	TP/TPH benches	CPU
Horizontal 340-460			

An adjustable holder for either vertical or horizontal CPU, to mount underneath the bench worktop.



PC stand CPU

LCD bracket MH and LCD swivel arm MA and MA2

Max load kg	Suitable for	Code
15	TPH benches	MH
10	TPH benches	MA
15	TPH benches	MA2

The quick-release mechanism is equipped with the standard flat-screen mount 75 x 75 and 100 x 100 for the mounting of all normal flat-screens. Connector HKC-MA/MH needed for mounting LCD bracket MH to TPH benches, ordered separately.

MA and MA2 arms are double articulated, they turn through a radius of 180° and will extend between 95-425 mm from the upright. Connector HKC-MH/MA or HKC-MA2 needed for mounting LCD swivel arms to TPH benches.



LCD bracket MH

Connector HKC

Suitable for	Code
LCD bracket MH	HKC-MA/MH
LCD swivel arm MA	HKC-MA/MH
LCD swivel arm MA2	HKC-MA2

Connector HKC-MA/MH or HKC-MA2 is needed for mounting LCD bracket /swivel arm to TPH benches.



LCD swivel arm MA

Adapter set AS

Name	Suitable for	Code
Adapter set for upright profiles*	MH / MA / MA2	AS2
	MA3	AS3

* Concept/TP/LMT/Towerline upright tube profiles and TPH C-profile

The above adapter sets are needed for fixing MH/MA/MA2/MA3 arms to the uprights.



LCD swivel arm MA2