



TP and TPH workbenches

The classically designed TP workbench is the ideal basic bench, the simplest and the most cost-effective option in our range of workbenches. TP workbenches are standard benches that are suitable for a broad range of tasks and environments when fitted with accessories: testing, packing, repairing, inspecting. TP bench is guaranteed for regular use with loads up to 300 kg.

Designed for use in today's production and assembly environments, this definitive modular system, developed over more than 35 years, provides a high quality working environment. Customise your workstation to your own requirements.

Stepless height adjustment

The height of workbenches in our TP range can be steplessly adjusted from 650 to 900 mm, which makes these benches suitable for work while sitting or standing. Packing is a typical example of work where the workbench height must be set correctly for the height of the user.



- Standard and cost-effective workbench
- Suitable for a wide range of tasks and environments
- Easy to equip with a variety of accessories
- Steel frame with loading capacity up to 300 kg



TP workbench examples



TP workbench

Qty	Name	Size mm	Code
1	Workbench TP	1500 x 700	TP715
1	Accessory frame	1500	TPK15-49
1	Upright tube module	2 x M750	903 49 001P



TPH workbench

Qty	Name	Size mm	Code
1	Workbench TPH	1500 x 700	TPH715
1	Drawer unit 45/14, 1 x100 drawer		603 49 002



TP workbench

Qty	Name	Size mm	Code
1	Workbench TP	1500 x 700	TP715
1	Accessory frame	1500	TPK15-49
1	Upright tube module	2 x M750	903 49 002P
1	Light/balancer rail	2 x M750	918 49 006P
1	Treston NaturLite LED 1200	1180	TNL1200
2	Metal shelf	M750 x 300	836 028-49
2	Bin profile	M750	859 151-49
10	Stacking bin		1525-5



TPH workbench

Qty	Name	Size mm	Code
1	Workbench TPH	1500 x 700	TPH715
1	Tool and lighting support KT	1500 x 600	KT150
1	Extra C-profile SPR	1500	SPR150
1	Perforated panel RL	1415 x 750	RL150
1	Treston NaturLite LED 1200	1180	TNL1200

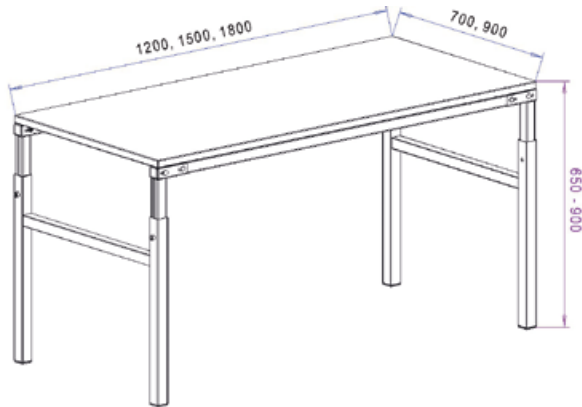
The TP bench can be equipped with castors!



Castor set Ø100, code 834 734 -00
Castor set Ø100 ESD, code 860 429 -00
Insert set (4 pcs - required to fit castors), code 853 289-00

Load capacity with castors 150 kg. We recommend using the fixing frame for the castors.

TP workbench



- Stepless height adjustment with allen-key between 650-900 mm.
- Frames are of epoxy powder coated steel in grey RAL 7035.
- Upright tubes (ordered separately) allow to attach a wide range of accessories.

Laminate bench top

- 25 mm low pressure laminate
- Light grey surface
- PVC edging

ESD bench top

- Light grey laminate surface
- Grey edging
- Thickness 25 mm
- Semi-conductive (ESD)

TP workbench

Bench size W x D mm	Max load kg	Code	Code ESD
700 x 500	150	TP507	TP507 ESD
1000 x 500	150	TP510	TP510 ESD
1500 x 500	150	TP515	TP515 ESD
1000 x 700	300	TP710	TP710 ESD
1200 x 700	300	TP712	TP712 ESD
1500 x 700	300	TP715	TP715 ESD
1800 x 700	300	TP718	TP718 ESD
1500 x 900	300	TP915	TP915 ESD
1800 x 900	300	TP918	TP918 ESD



The W x D x H rule

All our dimensions follow a WDH rule, where the first dimension is the width (W), the middle the depth (D), and the last the height (H).



Accessory frame for TP bench

Upright tubes or the upright tube module are always attached to the TP bench with an accessory frame. The accessory frame cannot be used on line or corner extensions.

Bench frame width mm	Fixing points for uprights	Code
1000	1 x M900	TPK10-49
1200	1 x M750, 1 x M900, 1 x M1200	TPK12-49
1500	1 x M1500, 2 x M750	TPK15-49
1800	1 x M1800, 2 x M900	TPK18-49



Accessories from page 24

TP bench with upright tubes can be equipped with the same accessories as Workshop bench.

Lower shelf for TP

Not enough space above the workstation? Then utilise the space below. The lower shelf for TP bench simply hangs on the horizontal bars.

Name	Size W x D mm	Max load kg	Code
Lower shelf	1080 x 500	50	AT120 TPH
Lower shelf	1380 x 500	50	AT150 TPH
Lower shelf	1680 x 500	50	AT180 TPH



The TP bench can be fitted with a lower shelf.



SAP trolley

Construction as TP bench. Height adjustment with allen key between 650-900 mm. Swivel castors (Ø 100 mm), two of which have brakes. Load capacity 150 kg. Lower shelf, extra shelf and push handle available separately.

Name	Size W x D mm	Max load kg	Code	Code ESD
Trolley	700 x 500	150	SAP507	SAP507 ESD
Trolley	1000 x 700	150	SAP710	SAP710 ESD
Trolley	1500 x 700	150	SAP715	SAP715 ESD
Lower shelf	700 x 500	40	AT507	AT507 ESD
Lower shelf	1000 x 700	40	AT710	AT710 ESD
Extra shelf*	700 x 500	40	LT507	LT507 ESD
Extra shelf*	1000 x 700	40	LT710	LT710 ESD
Handle	depth 500		PUSH50	PUSH50
Handle	depth 700		PUSH70	PUSH70

* Extra shelf for SAP trolley available 03/2020.



SAP trolley with AT lower shelf and PUSH handle.

TP extension benches



TP715

TP715 L



TP715

TP510 K



TP715*

TP707 KK

TP715*



* Workbench with one H-frame pair.

Line extension TP-L

Each standard TP bench may also be supplied as a line extension. Fitted to side of main bench.

Bench size W x D mm	Max load kg	Code	Code ESD
1000 x 700	150	TP710 L	TP710 L ESD
1200 x 700	150	TP712 L	TP712 L ESD
1500 x 700	150	TP715 L	TP715 L ESD
1800 x 700	150	TP718 L	TP718 L ESD
1500 x 900	150	TP915 L	TP915 L ESD
1800 x 900	150	TP918 L	TP918 L ESD

Angle extension TP-K

Each standard TP bench may also be supplied as an angle extension. Fitted to front angle of main bench.

Bench size W x D mm	Max load kg	Code	Code ESD
1000 x 500	150	TP510 K	TP510 K ESD
1200 x 700	150	TP712 K	TP712 K ESD

Corner workbench TP-KK

A corner workbench can be used with two TP benches (with one H-frame pair) to create a 90 °angle setup. TP KK unit consists of a worktop, two H-frames and a leg in the middle. Front side 565 mm.

Bench size W x D mm	Max load kg	Code	Code ESD
1100 x 1100	150	TP707 KK	TP707 KK ESD
1300 x 1300	150	TP909 KK	TP909 KK ESD

TPH workbench

The TPH workbench already includes a pair of uprights and one shelf; composing our best selling workstation set. It has its own range of accessories, also in stock, and covering the essential, basic needs of any professional workstation.

Height adjustment with allen-key between 650-900mm. Workbench with upright profiles and a laminate shelf. The shelf has a height adjustment between 1080-1550mm and a load capacity of 50kg. Construction as TP.



Workbench TPH

Bench size W x D mm	Shelf size W x D mm	Max load kg	Code	Code ESD
1200 x 700	1200 x 310	300	TPH712	TPH712 ESD
1500 x 700	1500 x 310	300	TPH715	TPH715 ESD
1800 x 700	1800 x 310	300	TPH718	TPH718 ESD
1500 x 900	1500 x 310	300	TPH915	TPH915 ESD
1800 x 900	1800 x 310	300	TPH918	TPH918 ESD



Accessories on page 30

There is a large range of workbench accessories available.



* Workbench with one H-frame pair.

Corner workbench TPH KK

A corner workbench can be used with two TPH benches (with one H-frame pair) to create a 90° angle setup. TPH KK unit consists of a worktop, two H-frames and a leg in the middle. Front side 565 mm.

Bench size W x D mm	Max load kg	Code	Code ESD
1100 x 1100	150	TPH707 KK	TPH707 KK ESD
1300 x 1300	150	TPH909 KK	TPH909 KK ESD

Power channels for TPH

Dims mm	Suitable for	Code
Profile 1058	TPH712	TJK120
Profile 1358	TPH715/915	TJK150
Profile 1658	TPH718/918	TJK180
Includes 3 x E1, E2	TPH715/915	TJK150 SET
Includes 3 x E1, E2	TPH718/918	TJK180 SET

Double socket	E1
Switch	E2
Automatic fuse 10 A	E3
Automatic fuse/earth leakage switch 10 A/30 mA	E4
Emergency-stop-switch	E5
Data connector/shielded for Cat.6 cable	E6

The finished TJK 150 SET and TJK 180 SET include 3 double sockets (E1) and a switch (E2). (Other SETs are also available.)

Power channels for TPH

Constructed from aluminium profile, this range of compact power channels provides power distribution for TPH benches. Pre-assembled with a choice of components, ordered separately. The power channel is isolated from the workbench. 3 m cable is included. Aluminium profile 72 x 72 mm. All meet with CE requirements.



Power channel TJK



For UK energy rails please contact salesuk@treston.com for further details.